



Lil' Scoot

spare parts request form - ET008/ET009

Customer Name.....

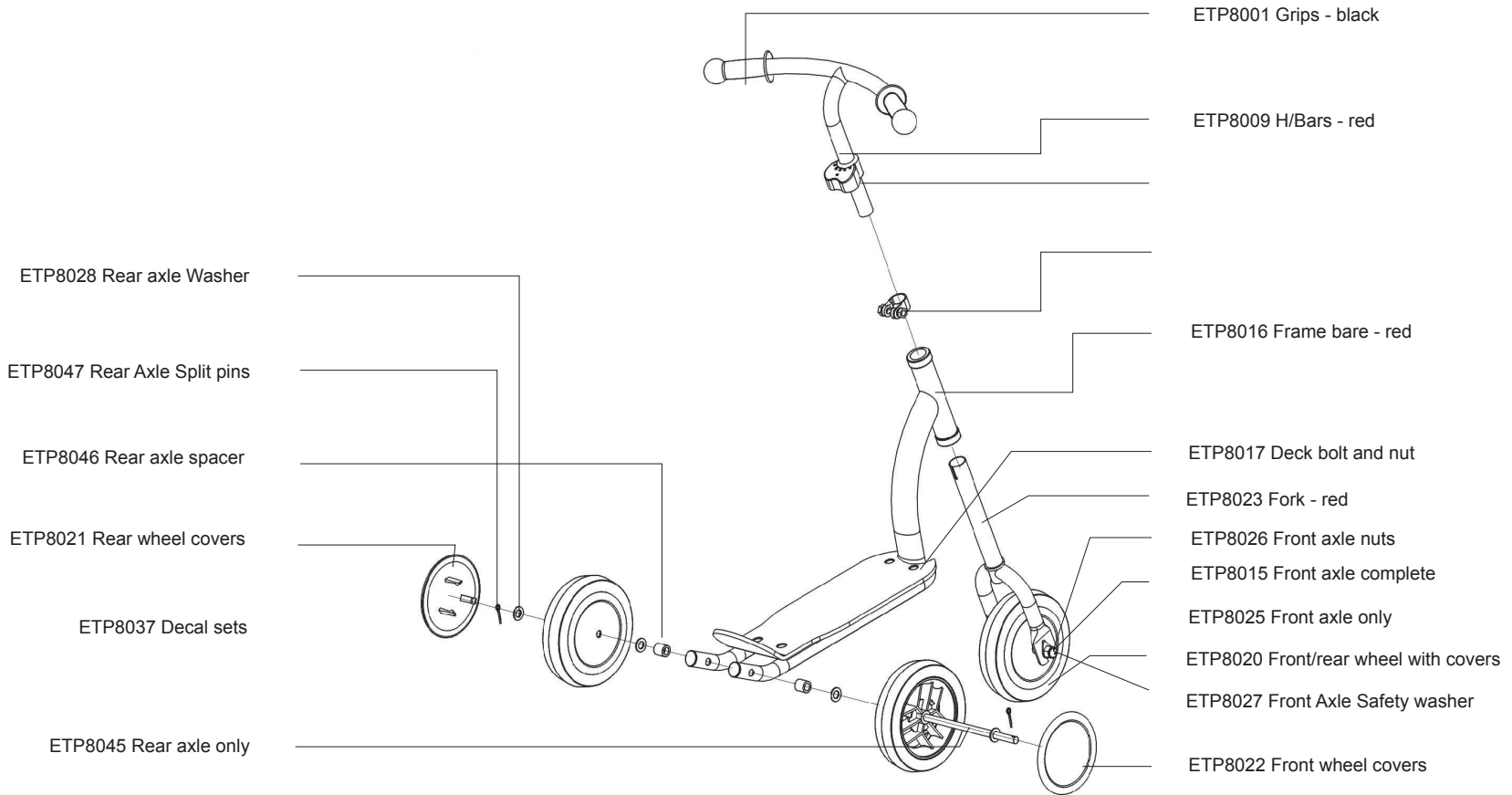
Address.....

.....

Phone.....

Fax.....

Shop Contact Person.....



Customer Service Phone: +61 (02) 9457 6577 Fax: +61 (02) 9457 6599